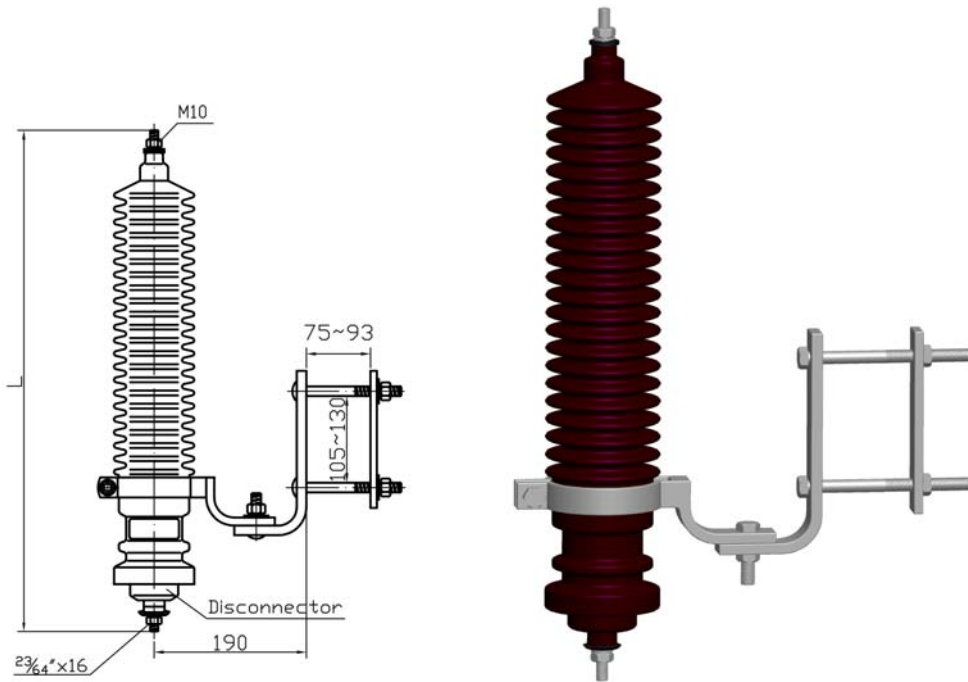


Metal Oxide Surge Arrester, Standard IEC 60099-4

Metal oxide surge arrester used for protect electrical equipment from over-voltage at A.C. distribution systems and improve its operating reliability.our products comply with IEC99-4 and ANSI C62-11. There are two designs of gapless and with gap. Polymer housed products are with advantage of light-weight big creepage distance and not easy cracked during handing and shipping. in addition, disconnector and Mounting Bracket are available upon user's request.



Main Dimensions and Standard Particulars

Type	Rated Voltage kV	MCOV kV(Crest)	FOW kV(Crest)	Max.Discharge Voltage Using an 8/20 us Current Wave/kV		Discharge Capacity Rectangular Wave 20 times at 2000us/A		Discharge Capacity at 4/10us Impulse Current 2 times/kA	
				5 kA	10 kA	5 kA	10 kA	5 kA	10 kA
Y5(10)W-03	3	2.55	10.6	9.2	9.9	75	250	65	100
Y5(10)W-06	6	5.1	21.2	18.4	19.8	75	250	65	100
Y5(10)W-09	9	7.65	31.8	27.6	29.7	75	250	65	100
Y5(10)W-10	10	8.4	35.3	30.7	33.0	75	250	65	100
Y5(10)W-12	12	10.2	42.4	36.8	39.6	75	250	65	100
Y5(10)W-15	15	12.7	53.0	46.0	49.5	75	250	65	100
Y5(10)W-18	18	15.3	63.6	55.2	59.4	75	250	65	100
Y5(10)W-21	21	17.0	74.2	64.4	69.3	75	250	65	100
Y5(10)W-24	24	19.5	84.8	73.6	79.2	75	250	65	100
Y5(10)W-27	27	22.0	95.4	82.8	89.1	75	250	65	100
Y5(10)W-30	30	24.4	105.9	92.1	99.0	75	250	65	100
Y5(10)W-33	33	27.0	116.4	101.3	108.9	75	250	65	100
Y5(10)W-36	36	29.0	127	110.5	118.8	75	250	65	100

Surge Arrester Series

Standard: IEC 60099-4



1. Ambient temperature: -40°C - +40°C;
2. Altitude: not more than 2000mm;
3. Frequency of power source is not less than 48Hz, not more than 62Hz;
4. Power frequency voltage applied between terminals of surge arrester must not overpass continuous operating voltage of surge arrester;
5. Earthquake intensity is not higher than 7 degree;
6. Max. wind velocity is lower than 35m/s.

Metal Oxide Surge Arrester Polymeric-housed Without Gaps for A.C. System(5kA series)

Type	Rated Voltage kV(r.m.s)	Continuous Operating Voltage kV(r.m.s)	8/20u Lightning Impulse Residual Voltage Under Nominal Discharge Current ≤kV(Peak)	2ms Square Wave Impulse Current Withstand A	4/10us High Current Impulse Withstand kA(Peak)
YH5W - 3	3	2.55	9	100	65
YH5W - 6	6	5.1	18	100	65
YH5W - 9	9	7.65	27	100	65
YH5W - 12	12	10.2	36	100	65
YH5W - 15	15	12.7	45	100	65
YH5W - 18	18	15.3	54	100	65
YH5W - 21	21	17.0	63	100	65
YH5W - 24	24	19.2	72	100	65
YH5W - 27	27	21.9	81	100	65
YH5W - 30	30	24.4	90	100	65
YH5W - 33	33	26.8	99	100	65
YH5W - 36	36	29	108	100	65

Metal Oxide Surge Arrester Polymeric-housed Without Gaps for A.C. System(10kA series)

Type	Rated Voltage kV(r.m.s)	Continuous Operating Voltage kV(r.m.s)	8/20u Lightning Impulse Residual Voltage Under Nominal Discharge Current ≤kV(Peak)	2ms Square Wave Impulse Current Withstand A	4/10us High Current Impulse Withstand kA(Peak)
YH10W - 3	3	2.55	9	-	100
YH10W - 6	6	5.1	18	-	100
YH10W - 9	9	7.65	27	-	100
YH10W - 12	12	10.2	36	-	100
YH10W - 15	15	12.7	45	-	100
YH10W - 18	18	15.3	54	-	100
YH10W - 21	21	17.0	63	-	100
YH10W - 24	24	19.2	72	-	100
YH10W - 27	27	21.9	81	-	100
YH10W - 30	30	24.4	90	-	100
YH10W - 33	33	26.8	99	-	100
YH10W - 36	36	29	108	-	100

Surge Arrester Series

Substation type

Standard: IEC 60099

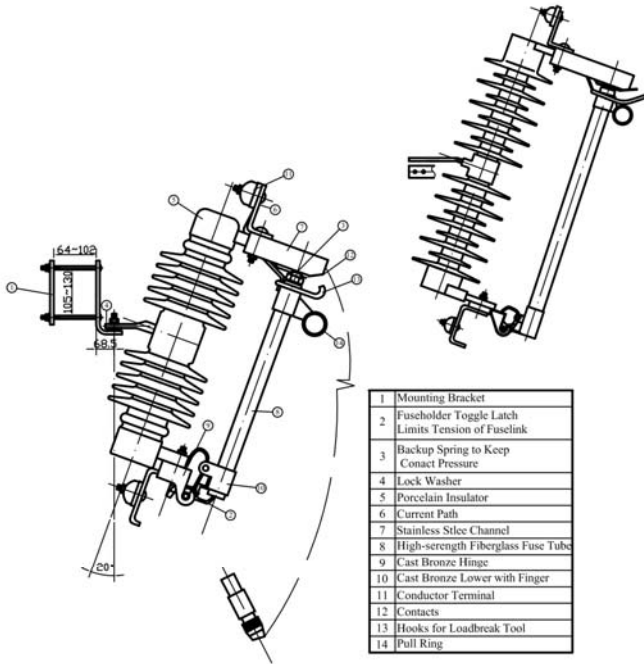


Type	Rated Voltage kV(r.m.s)	Continuous Operating Voltage kV(r.m.s)	Lightning Impulse Residual Voltage Under Nominal Discharge Current kV(Peak)	Square Wave Impulse Current Withstand A	High Current Impulse Withstand kA(Peak)
YH5WZ - 3	3.8	2.0	13.5	200	65
YH5WZ - 5	5.0	4.0	13.5	200	65
YH5WZ - 7	7.6	4.0	27	200	65
YH5WZ - 10	10	8.0	27	200	65
YH5WZ - 12	12.7	8.6	45	200	65
YH5WZ - 17	17	13.6	45	200	65
YH5WZ - 42	42	23.4	134	400	65
YH5WZ - 51	51	40.8	134	400	65
YH10WZ - 84	84	67.2	221	600	100
YH10WZ - 90	90	72.5	235	600	100
YH10WZ - 100	100	78	260	600	100
YH10WZ - 108	108	84	281	600	100
YH10WZ - 192	192	150	500	800	100
YH10WZ - 204	204	159	532	800	100
YH10WZ - 216	216	168.5	562	800	100

Fuse Cut-out

Fuse cutout provide reliable protection from low level overload currents that just melt the fuselink, through intermediate and very high faults current up through Max interrupt capacity for the lines of A. C system and various apparatus on those linse such as transformers, capacitor banks, Our products comply with IEC282-2 and ANSIC37-42. In addition,The load-break Cutout with extinguishing device are also available upon request.

IEC 282-2
ANSI C37-42



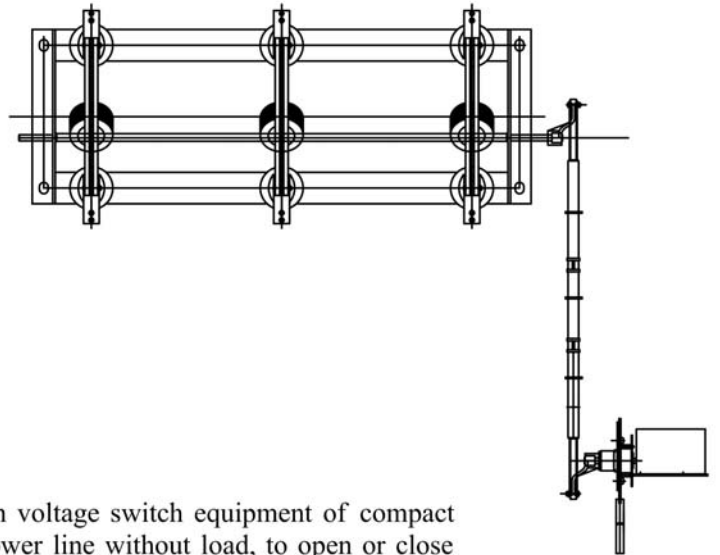
- | | |
|----|--|
| 1 | Mounting Bracket |
| 2 | Fuseholder Toggle Latch Limits Tension of Fuselink |
| 3 | Backup Spring to Keep Contact Pressure |
| 4 | Lock Washer |
| 5 | Porcelain Insulator |
| 6 | Current Path |
| 7 | Stainless Steel Channel |
| 8 | High-strength Fiberglass Fuse Tube |
| 9 | Cast Bronze Hinge |
| 10 | Cast Bronze Lower with Finger |
| 11 | Conductor Terminal |
| 12 | Contacts |
| 13 | Hooks for Loadbreak Tool |
| 14 | Pull Ring |



Type	Rated Vol. (kV)	Rated Current (A)	Rated Breaking Current (kA)	Power Freq. Withst. Vol. 1 min (kV _{r.m.s})	Lightning Impulse Withst. vol. (kV _p)	Creepage Distance (mm)	Net Weight, Each, Approx. (kg)
RW12 - 12/100	10-15	100	10	40	110	245	5.7
RW12 - 12/200	10-15	200	12	40	110	245	5.9
PRWG1 - 12F/100	10-15	100	10	45	110	315	7.4
PRWG1 - 12F/200	10-15	200	12	45	110	315	7.6
RW12 - 24/100	24-27	100	8	65	150	530	12
RW12 - 24/200	24-27	200	10	65	150	530	12
RW12 - 36/100	33-36	100	10	70	170	720/900	15.5
RW12 - 36/200	33-36	200	12	70	170	720/900	15.5
HRW12 - 12/100	10-15	100	10	40	110	440	3.6
HRW12 - 12/200	10-15	200	12	40	110	440	3.8
HPRWG1 - 12F/100	10-15	100	10	45	110	374	5.2
HPRWG1 - 12F/200	10-15	200	12	45	110	374	5.4
HRW12 - 24/100	24-27	100	8	65	150	560	4.6
HRW12 - 24/200	24-27	200	10	65	150	560	4.6
HRW12 - 36/100	33-36	100	10	85	200	720/900	5.6
HRW12 - 36/200	33-36	200	12	85	200	720/900	5.8

Disconnect Switch

IEC 62271



GW series outdoor high voltage switch is the high voltage switch equipment of compact structure is suitable for outdoor 12kv and 36kv power line without load, to open or close circuit. With manpower operation rod, it can avoid wrong closing when earthing line is with power or loading. There is no need for operator to work with earthing line. Anti-Pollution type switch is suitable for filthy condition area, which can protect flashover effectively.

Type	GW 1-11-630	GW 1-11-1250	GW 1-33-630	GW 1-33-1250
Rated Voltage, kV	11(12)	11(12)	33(36)	33(36)
Rated Current, A	630	1250	630	1250
Power frequency withstand voltage 1min, kV	To earth	42	42	70
	Across Open DS	48	48	80
Lightning impulse withstand voltage, kV	To earth	75	75	170
	Across Open DS	95	95	195
4s short time withstand current, kA	20	31.5	20	31.5
Peak withstand current, kA	50	80	50	80
Mechanical endurance, cycle	2000	2000	2000	2000

Disconnect Switch

IEC 62271

RH series has standard disconnecter and it can attach fuse cutout as option. The option type has function as normal disconnecter, meanwhile its special design can protect electric system from overload circuit with fuse link. Because of its optimized structure, the total weight and volume reduced so it is easier to install on pole and save space.

Standard Disconnecter RH



Option Disconnecter with fuse cutout RH-B



Type		RH-11/200	RH-B-11/200	RH-33/200	RH-B-33/200
Rated Voltage, kV		11(12)	11(12)	33(36)	33(36)
Rated Current, A		200	200	400	400
Power frequency withstand voltage 1min, kV	To earth	38	38	73	73
	Across Open DS	45	45	86	86
Lightning impulse withstand voltage, kV	To earth	75	75	170	170
	Across Open DS	90	90	195	195
Short time withstand current, kA		12.5	12.5	12.5	12.5
Creepage distance, mm		450	450	900	900
Rated current for fuse cut out, A		/	100	/	100

The product can be customer specified.